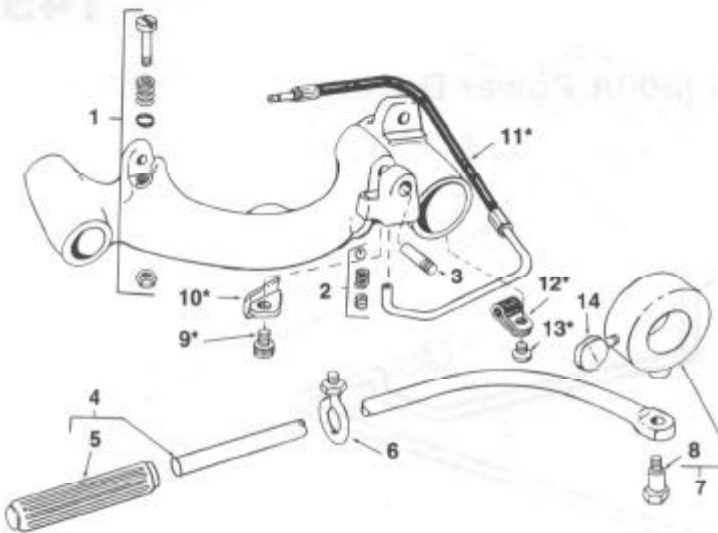


311
311A
341
360

NOTE: Order parts by Catalog Number only.
DO NOT order by Reference Number.

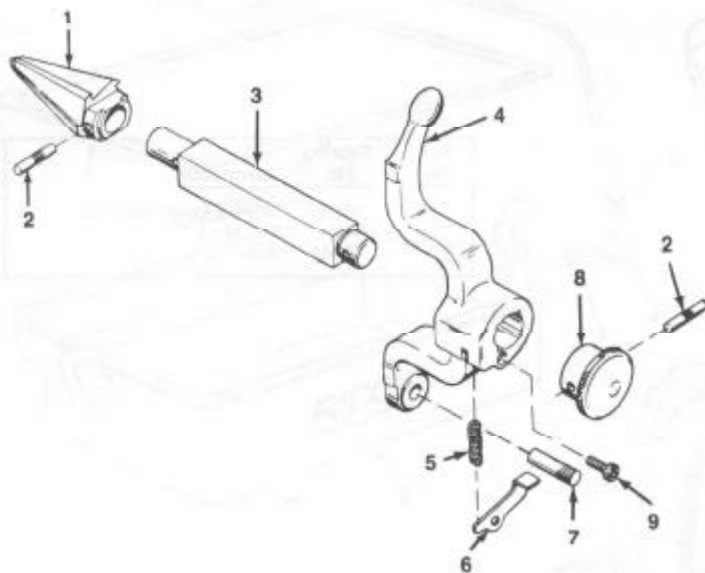
311 Carriage w/Lever (200, 300 Power Drive)
311A Carriage w/Lever (300A, 304 Retrofit)



| Ref. No. | Catalog No. | Description |
|----------|-------------|---|
| — | 68815 | 311 Carriage w/Lever |
| — | 96945 | 311A Carriage w/Lever |
| — | 42385 | 312 Lever Kit (incl. Ref. No. 4, 6, 7, 14) |
| 1 | 45515 | Stop Bolt Assembly |
| 2 | 46810 | Detent Assembly |
| 3 | 47065 | Reamer Hinge Pin |
| 4 | 43400 | Lever Arm Assembly |
| 5 | 46235 | Handgrip |
| 6 | 46205 | Eye Bolt Assembly |
| 7 | 46215 | Collar Assembly |
| 8 | 46210 | Shoulder Bolt |
| 9* | 96900 | Screw |
| 10* | 96970 | Oil Line Cover |
| 11* | 80905 | Hose Assembly |
| | 19336 | Hose Assembly (Europe) |
| 12* | 96895 | Clamp |
| 13* | 96915 | Screw |
| 14 | 46220 | Thumbscrew |

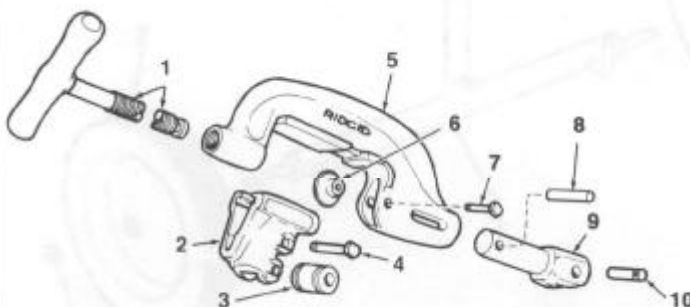
*Used on 311A Carriage only

341 Reamer



| Ref. No. | Catalog No. | Description |
|----------|-------------|---------------------------|
| — | 42365 | 341 Reamer Complete |
| 1 | 36277 | Cone (R.H.) |
| | 46660 | E-863 Cone (L.H. & R.H.) |
| 2 | 47155 | F-693 Pin |
| 3 | 43790 | D-387 Reamer Bar |
| 4 | 43230 | C-144 Reamer Arm |
| 5 | 44700 | E-1664 Latch Spring |
| 6 | 40605 | E-865 Reamer Latch |
| 7 | 47065 | F-412 Hinge Pin |
| 8 | 46585 | E-762 Reamer Knob |
| 9 | 40910 | E-1669 Screw 1/4-20 x 3/4 |

360 Cutter



| Ref. No. | Catalog No. | Description |
|----------|-------------|-------------------------------|
| — | 42370 | 360 Cutter Complete |
| 1 | 43625 | D-1024-X Screw Handle |
| 2 | 33400 | C-878-X Roll Housing Assembly |
| 3 | 34305 | E-1751 Roll (2) |
| 4 | 34310 | E-1752 Roll Pin (2) |
| 5 | 43595 | C-877 Cutter Frame |
| 6 | 33100 | F-514 Cutter Wheel Thin |
| | 33105 | F-3 Cutter Wheel H.D. |
| | 44185 | E-1032 Cutter Wheel Std. |
| 7 | 34780 | F-9 Wheel Pin |
| 8 | 45435 | E-3549 Retaining Pin |
| 9 | 45505 | E-3759 Support Arm |
| 10 | 45520 | E-3819 Pin |