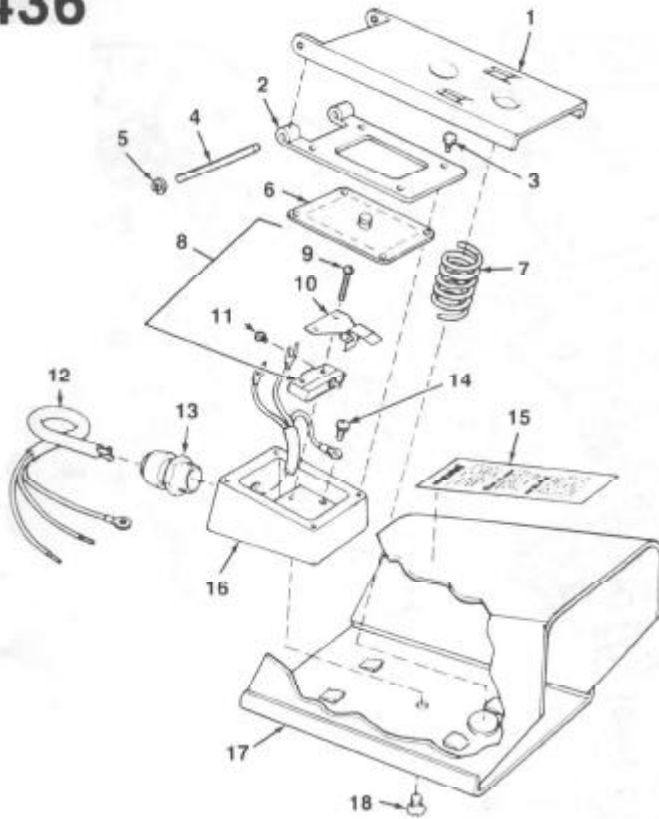
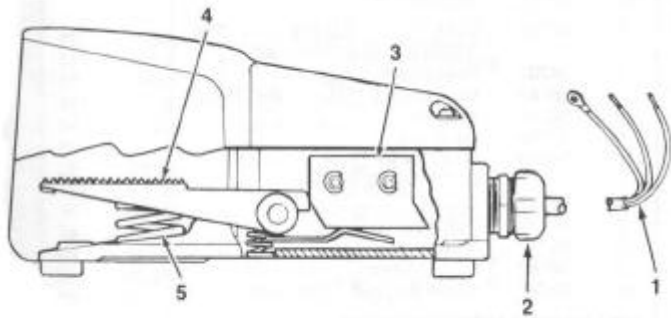


**B-293  
B-436**



Ref. No.	Catalog No.	Description
	83550	B-293 Foot Switch
	83555	B-436 Foot Switch
1	83565	C-546 Foot Pedal
2	03570	C-509 Plate
3	83625	E-3084 Screw (4)
4	83580	E-3058 Pin
5	78780	E-3562 Ret. Ring (2)
6	83590	E-3050 Diaphragm w/Gask.
7	83615	E-3051 Spring
8	83585	E-2988X Micro Switch
9	83595	E-3060 Screw (2)
10	83575	E-3031 Actuator Assem.
11	46310	Screw #6-32 x 3/16" (2)
12	68880	D-620 Cord (B-293)
	83605	D-1297 Cord (B-436)
13	68885	E-1511 Cord Connector (B-293)
	85565	E-2668 Cord Connector (B-436)
14	45420	E-3487 Screw
15	85940	E-2220 Warning Label (B-293) E-3173 Warning Label (B-436)
16	85935	C-532 Housing
17	83560	B-345 Housing Cover
18	83610	E-3095 Screw

**E-2497  
301**



Ref. No.	Catalog No.	Description
—	76095	E-2497 Foot Switch
—	68820	301 Foot Switch
1	68880	D-620 Cord (E-2497)
	83600	D-1221 Cord (301)
2	68885	E-1511 Connector (E-2497)
	85565	E-2668 Connector (301)
3	83940	E-2900 Micro Switch
4	83945	E-2901 Treadle
5	83950	E-3349 Spring