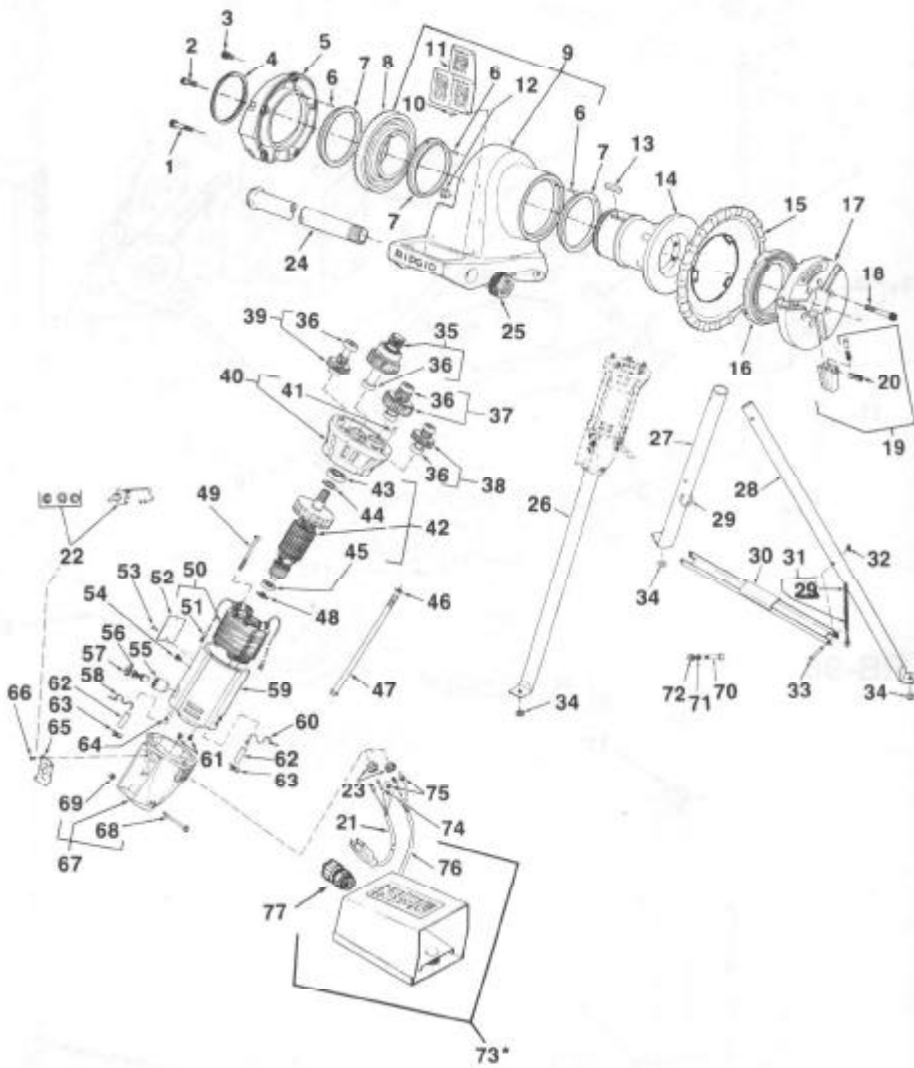


**NOTE: Order parts by Catalog Number only.
DO NOT order by Reference Number.**

Ref. No.	Catalog No.	Description
1	46775	E-897 Screw 1/4"-20 x 1 1/4" (2)
2	83685	E-798 Screw 1/4"-20 x 1" (2)
3	32205	E-1406 Screw 1/4"-20 x 1/4" (2)
4	89165	E-3294 Retaining Ring
5	89125	B-361-X Cover Assembly
6	89085	E-5253 Roll Pin (3)
7	44060	D-751 Bearing
8	89145	C-661 Face Gear
9	97530	A-91-X Gear Case
10	85920	E-10006 Pop Rivet (6)
11	89200	E-3329 Warning Plate
12	89195	E-3312 Wear Plug
13	89160	E-3219 Key 1/4" Sq.
14	89140	C-623 Drive Shaft
15	89150	C-1204 Handwheel
16	43540	C-701 Scroll
17	43525	C-698 Chuck Cap
18	45295	E-3175 Screw 1/4"-18 x 2 1/4" (6)
19	44090	D-838-X Jaw Set
20	44715	E-1666-X Insert
21	89155	D-1298 Power Cord (115V)
	44045	D-747 Power Cord (230V)
22	89185	E-3342 Toggle Switch
23	46730	E-889 Strain Relief (2)
24	89470	E-10001 Bar
25	46560	E-685 Stop Nut
26	89315	D-1217 Rear Leg
27	89455	E-3306 Right Leg
28	89460	E-3326 Left Leg
29	90070	E-1467 Open Flng (2)
30	89465	C-1203 Leg Support
31	89480	E-10395 Chain
32	41270	E-1377 "X" Washer
33	41265	E-1375-X Pin
34	40940	F-532 Grommet (3)
35	44900	E-1960-X Pinion & Gear Ass'y.
36	45060	E-2630 Bearing (7)
37	44830	E-1903-X 3rd Pinion Ass'y.
38	44825	E-1902-X 2nd Pinion Ass'y.
39	44820	E-1901-X 1st Pinion Ass'y.
40	89135	C-745-X Housing Assembly
41	45165	E-2893 Pin
42	44055	D-750-X Armature (115V)
	44075	D-756-X Armature (230V)
43	44565	E-1497 Bearing
44	44430	E-1340 Ring
45	44760	E-1880 Bearing
46	40770	E-1719 Lock Washer 1/4" (4)
47	44785	E-1893 Bolt 1/2"-18 x 8 3/16" (4)
48	44790	E-1894 Loading Spring
49	44555	E-1495 Screw 10-24 x 3" (2)
	91095	E-2903 Screw 10-24 x 3 1/2" (230V) (2)
50	89040	E-10330 Field (115V)
	89055	D-757 Field (230V)
51	89190	E-3343 Female Terminal (2)
52	89170	E-3340 Name Plate (115V)
53	85920	E-10006 Pop Rivet
54	44765	E-1882 Screw 1/4"-20 x 1/2"
55	44795	E-1895 Brush Holder (2)
56	44815	E-1900-X Brush (2)
57	45660	E-4404 Brush Cap (2)
58	44885	E-1956 Lead (White)
59	42975	B-191-X Field Housing
60	89180	E-3348 Lead (Blue)
61	45420	E-3467 Screw 10-24 x 1/4" (2)
62	44755	E-1877 Insulation (2)
63	41270	E-1377 "X" Washer (2)
64	39770	E-3145 Set Screw 1/4"-20 x 1/4"
65	89175	E-3311 Switch Plate



Ref. No.	Catalog No.	Description
66	45525	E-3645 Screw 6-32 x 1/16" (4)
67	16192	C-1447 Switch Housing
68	89475	E-10385 Screw 10-24 x 2 1/2"
69	44695	E-1663 Nut 10-24
70	46675	E-868 Screw 3/8"-16 x 2 3/4" (2)
71	40930	E-1095 Lock Washer 3/8" (2)
72	44225	E-1094 Nut 1/4"-16 (2)
73	36647	B-295 Foot Switch
74	89190	E-3343 Female Terminal
75	44635	E-1517 Wire Nut (2)
76	83605	Cord
77	85565	Cord Connector

*Refer to Foot Switch Model No. for component parts.