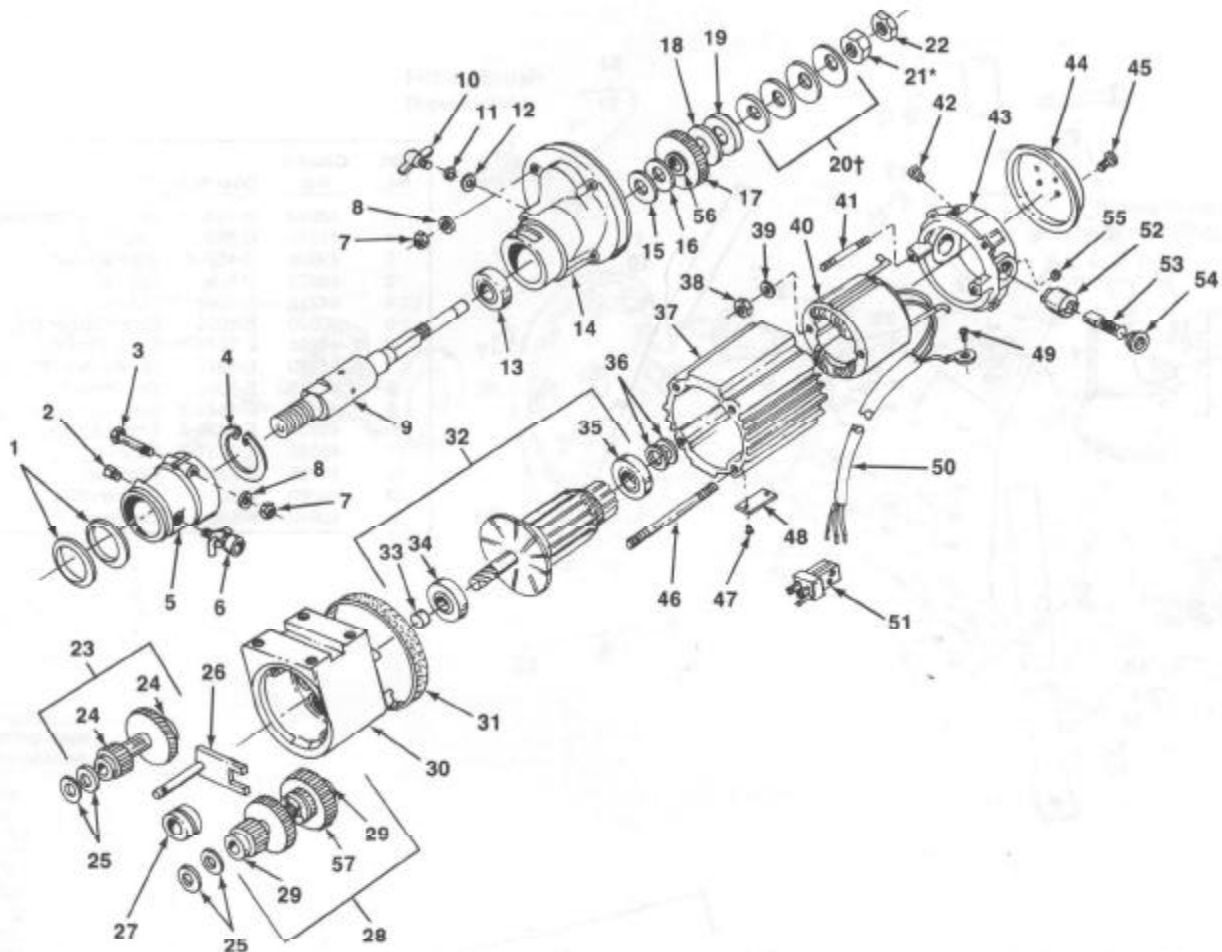


Motor



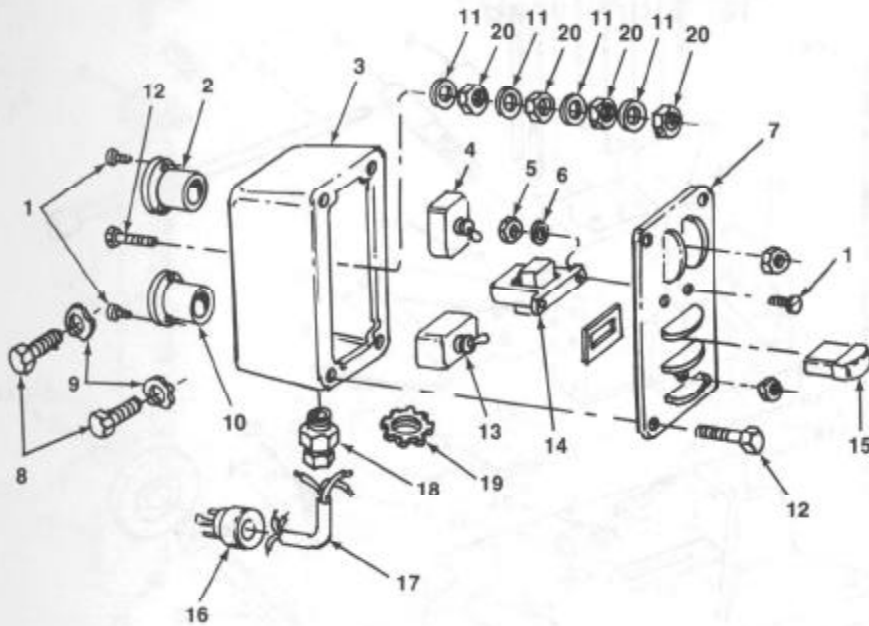
Ref. No.	Catalog No.	Description	Ref. No.	Catalog No.	Description	Ref. No.	Catalog No.	Description
—	98125	Motor Complete, 115V	†20	99385	Conical Spring Washer [4]	40	99310	Field, 115V w/Line Cord
—	16382	Motor Complete, 230V	*21	99390	Stop Nut (Torque to 55-60 ft./lbs.)	41	17407	Field, 230V w/Line Cord
1	99215	Set of 2 Seals	22	99350	Lock Nut	42	99405	End Bell Stud (2)
2	—	1/4" Pipe Plug	23	99260	Gear Shaft Assembly	43	99305	Strain Relief
3	59915	Screw 1/4 - 28 x 2 1/4	24	45060	Ball Bearing (2)	44	99200	Commutator End Bell (Includes Refs. 41, 52, 54)
4	99345	Snap Ring	25	99275	Conical Spring Washer [4]	45	99410	Commutator End Cover
5	99210	Waterjacket	26	99225	Shift Arm Assembly	46	99400	Field Housing Stud (4)
6	99395	Water Petcock w/Hose Fitting	27	99285	Needle Bearing	47	46870	Drive Screw [5]
7	60410	Hex Nut 1/4 - 28 (5)	28	99230	Gear Shaft Assembly	48	99175	Name Plate
8	34270	Internal Tooth Lockwasher 1/4" [5]	29	45060	Ball Bearing (2)	49	34715	Screw #10 - 32 x 3/4" [5]
9	99340	Output Shaft	30	99250	Gear Housing	50	99315	Line Cord Only
10	99220	Shift Knob	31	99300	Fan Guard	51	99320	Plug (115V)
11	99265	Conical Spring Washer	32	99235	Armature Assembly (115V)		17412	Plug (230V)
12	99280	Washer		17402	Armature Assembly (230V)	52	99205	Brush Holder (2)
13	45315	Bearing	33	99245	Slinger	53	99330	Set of Brushes [2]
14	99335	End Plate	34	44565	Ball Bearing	54	99325	Set of Brush Caps [2]
15	99355	Clutch Plate	35	99240	Ball Bearing	55	99295	Screw #10 - 32 x 1/4" (4)
16	99360	Clutch Plate, Bronze	36	99270	Conical Spring Washer [2]	56	99365	Bushing
17	99370	Gear	37	99255	Field Housing	57	44632	Large Gear
18	99375	Clutch Plate, Bronze	38	79495	Hex Nut #10 - 32 (2)			
19	99380	Clutch Plate	39	99290	Lock Washer #10 (2)			

(3) = Total Quantity Required.

[2] = Quantity supplied per package when specified catalog number is ordered.

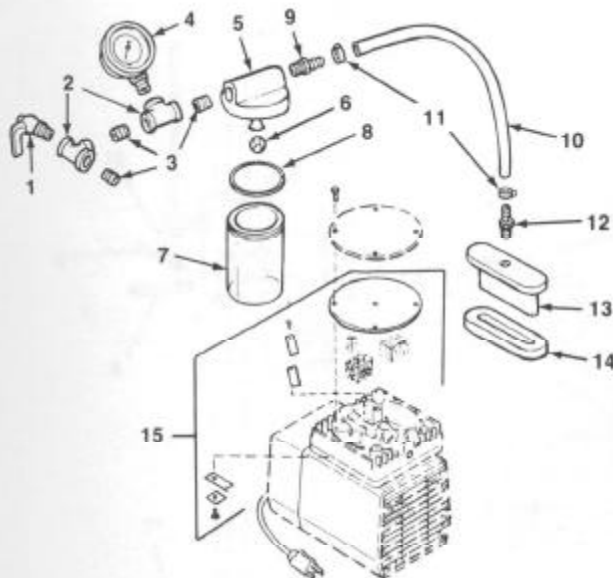
†Service Note: Ref. 20. Install with concave side toward gear.

Control Panel



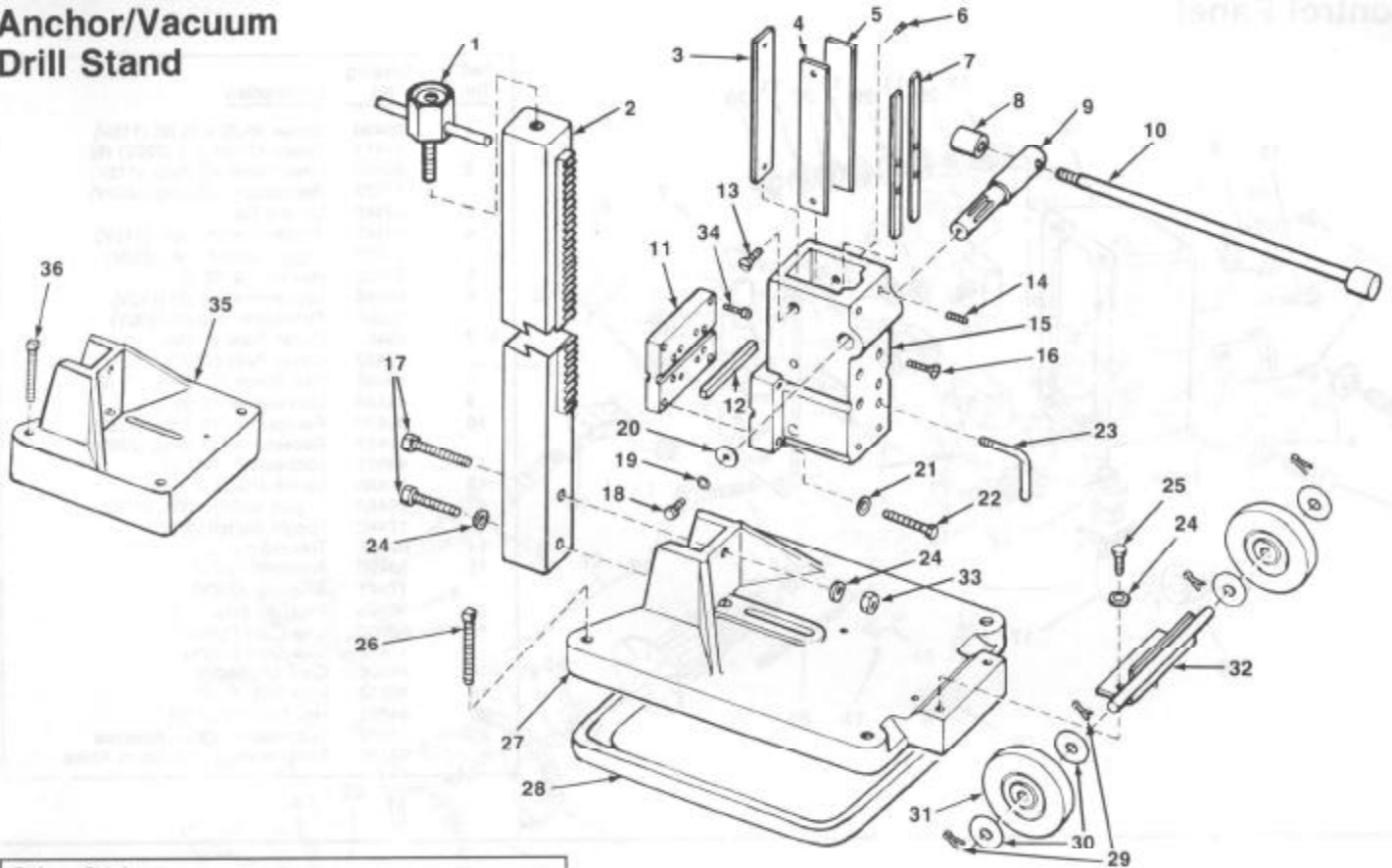
Ref. No.	Catalog No.	Description
1	99430	Screw #6-32 x 1/2 (6) (115V)
	17417	Screw #10-24 x 1 (230V) (6)
2	99435	Receptacle, 20 Amp, (115V)
	17422	Receptacle, 20 Amp, (230V)
3	99440	Control Box
4	99445	Toggle Switch, 16A, (115V)
	17427	Toggle Switch, 8A, (230V)
5	99450	Hex Nut #6-32 (2)
6	99455	Lockwasher #6 (2) (115V)
	45365	Flatwasher #10 (2) (230V)
7	99460	Cover Plate (115V)
	17432	Cover Plate (230V)
8	99465	Hex Screw 1/4 - 20 x 1 1/4 (2)
9	44740	Lockwasher 1/4 (2)
10	99470	Receptacle, 15 Amp, (115V)
	17437	Receptacle, 15 Amp, (230V)
11	46985	Lockwasher #10 [5]
12	92455	Screw #10-24 x 3/4 (5)
13	99480	Toggle Switch, 20A, (115V)
	17442	Toggle Switch (230V)
14	99485	Transformer
15	99490	Ammeter (115V)
	17447	Ammeter (230V)
16	99495	Plug, 30 Amp
17	99500	Line Cord (115V)
	17452	Line Cord (230V)
18	99505	Cord Connector
19	99510	Lock Nut
20	44695	Hex Nut #10-24 [5]
21	17382	Suppressor (230V) Australia
	99170	Suppressor (230V) South Africa

RB-214 Vacuum Pump



Ref. No.	Catalog No.	Description
—	98110	Pump Complete
1	98865	Air Petcock
2	—	1/4" Pipe Tee (2)
3	—	1/4" Close Nipple (3)
4	98870	Vacuum Gauge
5	98875	Water Trap Top
6	98890	Float Ball
7	98880	Water Trap Jar
8	98885	Water Jar Gasket
9	98910	1/4" Barb to 1/4" Male
10	98895	Hose, 9" x 1/4"
11	—	1/2" Hose Clamp (2)
12	98915	1/4" Barb to 1/4" Male
13	98900	Slot Cap
14	98905	Slot Cap Gasket
15	98860	Vacuum Pump Service Kit

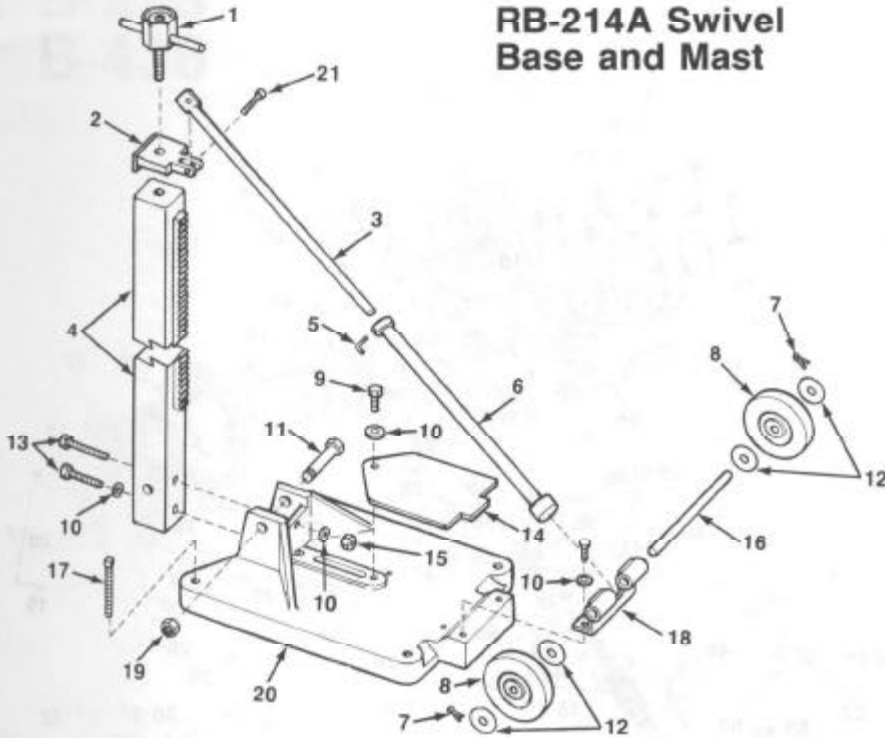
Anchor/Vacuum Drill Stand



Ref. No.	Catalog No.	Description
1	98805	Ceiling Jack Screw
2	98800	Mast w/Gear Rack
3	98750	Non-Adjustable Shim
4	98835	Non-Adjustable Shim
5	98770	Adjusting Shim
6	33720	Cup Set Scr 1/4 - 20 x 3/8 (2) [5]
7	98765	Adjusting Shim (2)
8	98795	Handle Nut (2)
9	98785	Pinion Gear
10	98790	Feed Handle
11	98780	Motor Mount Plate
12	98760	3/8" Sq. x 4" Key
13	98740	Brass FH Scr 1/4 - 20 x 5/8 (6)
14	98755	Cup Set Scr 1/4 - 20 x 7/8 (4)
15	98810	Carriage
16	98745	Brass FH Screw 1/4 - 20 x 1 (4)
17	80265	Hex Cap Screw 1/2 - 13 x 3 1/2 (2)
18	60005	Hex Cap Screw 1/4 - 20 x 3/4
19	44740	1/4" Lock Washer [5]
20	98830	Flat Washer 1/4 x 1 1/4 O.D.
21	40930	3/8" Lock Washer (4) [5]
22	46670	Hex Cap Screw 3/8 - 16 x 2 (4)
23	98775	Locking Handle
24	84150	1/2" Lock Washer (4)
25	45500	Hex Bolt 1/2 - 13 x 1 1/4 (2)
26	98025	Sq. Head Set Screw 5/8 - 11 x 4 (4) (RB 214)
27	98815	Anchor Vacuum Base (RB-214)
28	98820	Vacuum Seal (RB-214)
29	47030	Cotter Pin 1/8" x 1" [5]
30	41220	Flat Washer 5/8 (4)
31	98845	Wheel (2)
32	98840	Axle Assembly
33	44745	Hex Nut 1/2" x 13 [4]
34	99515	Socket Head Screw 1/4" - 28 x 1" (4)
35	98850	Anchor Base (RB-215)
36	98855	Sq. Head Bolt 1/2" - 13 x 4" (RB-215)

(3) Total Quantity Required.
[2] = Quantity supplied per package when specified catalog number is ordered.

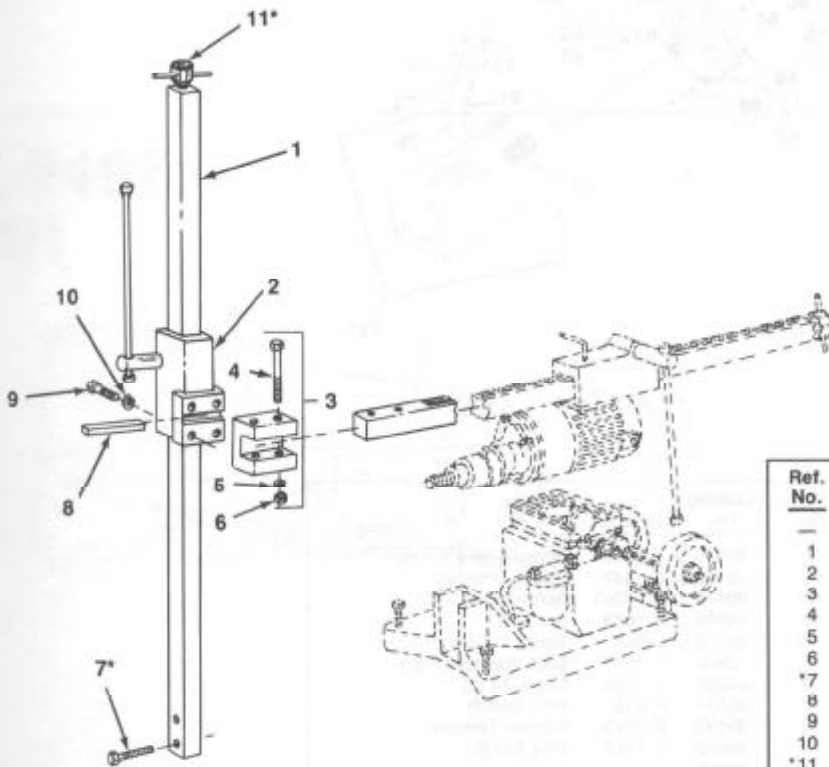
**RB-214A Swivel
Base and Mast**



Ref. No.	Catalog No.	Description
1	98805	Ceiling Jack Screw
2	29077	Mast Bracket
3	29082	Upper Brace
4	29087	Angle Mast 2½" x 2½"
5	29092	L-Bolt
6	29097	Lower Brace
7	47030	Cotter Pin, ¼ x 1 [5]
8	98845	Wheel (2)
9	45500	Hex Bolt, ½-13 x 1¼ (2)
10	84150	Lock Washer, ½" (4)
11	29102	Hex Head Bolt, ¼ x 4½
12	41220	Flat Washer, ¾" (4)
13	80265	Hex Cap Screw, ½-13 x 3½ (2)
14	29107	Vacuum Pump Plate
15	44745	Hex Nut, ½ x 13
16	29112	Axle
17	98825	Sq Head Set Screw, ⅝-11 x 4 (4)
18	29117	Axle Bracket
19	29122	Hex Nut, 1-8
20	29127	Anchor Vacuum Base
21	29132	Socket Cap Screw ⅝-18 x 1

() = Total Quantity Required.
[] = Total Quantity Supplied per Package.

RB-90



Ref. No.	Catalog No.	Description
—	32437	RB-90 90° Attachment
1	32447	82° Mast
2		See Stand Assembly for Carriage Components
3	32452	90° Adaptor Assembly
4	16762	½"-13 x 5" Hex Bolt (2)
5	86445	½" Lockwasher (2)
6	44745	½"-13 Hex Nut (2) [4]
*7	80265	½"-13 x 3½ Hex Cap Screw (2)
8	98760	⅜" Sq x 4" Key
9	46670	⅜"-16 x 2 Hex Cap Screw (4)
10	40930	⅜" Lock Washer (4) [5]
*11	98805	Ceiling Jack Screw

*Transfer from original Core Drill